

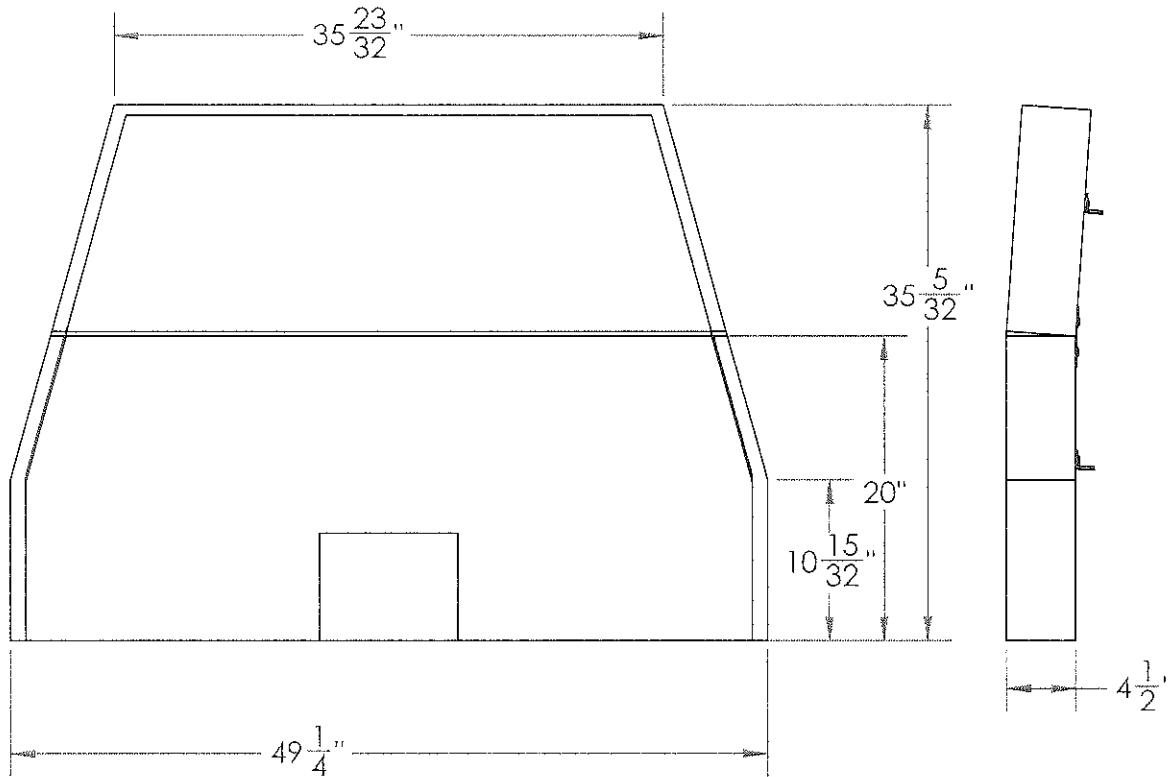
REV	APPROVED BY	NAME	DATE	COMMENTS
***	***	***	***	*****
REV	APPROVED BY	NAME	DATE	COMMENTS
***	***	***	***	*****
REV	APPROVED BY	NAME	DATE	COMMENTS
***	***	***	***	*****
REV	APPROVED BY	NAME	DATE	COMMENTS
***	***	***	***	*****

PROPRIETARY AND CONFIDENTIAL
 THE INFORMATION CONTAINED IN THIS DRAWING IS THE SOLE PROPERTY OF AMERICAN ATHLETIC INC.. ANY REPRODUCTION IN PART OR AS A WHOLE WITHOUT THE WRITTEN PERMISSION OF AMERICAN ATHLETIC INC. IS PROHIBITED.

MATERIAL	SEE BOM
MASS PROPERTIES	LBS.
DIMENSIONS ARE IN INCHES	
TOLERANCES:	
FRACTIONAL	± 1/32"
ANGULAR: MACH	± 2'
ONE PLACE DECIMAL	± 0.05
TWO PLACE DECIMAL	± 0.02
THREE PLACE DECIMAL	± 0.005
DRAWN	NAME DATE
	10/14/2016

American Athletic Inc.
FRONT ARM ASSEMBLY

2.0
 SIZE DWG. NO. **A** 0043876
 SCALE: 1:24 QTY: *** SHEET 1 OF 1



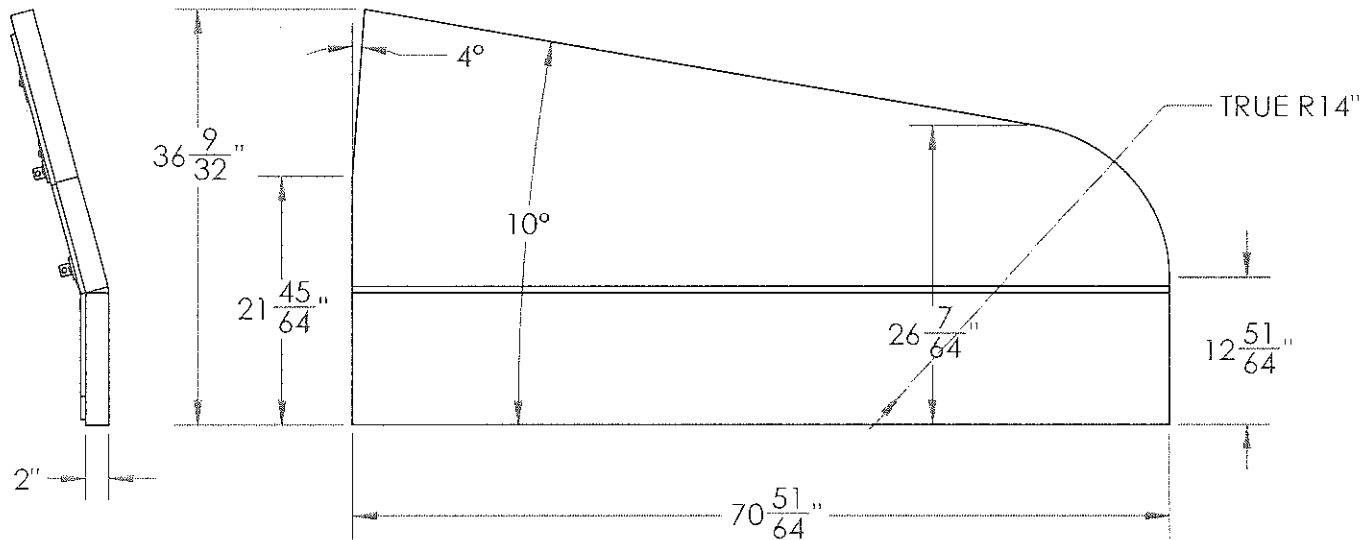
REV	APPROVED BY	NAME	DATE	COMMENTS
***	***	***	***	*****
REV	APPROVED BY	NAME	DATE	COMMENTS
***	***	***	***	*****
REV	APPROVED BY	NAME	DATE	COMMENTS
***	***	***	***	*****
REV	APPROVED BY	NAME	DATE	COMMENTS
***	***	***	***	*****

PROPRIETARY AND CONFIDENTIAL
 THE INFORMATION CONTAINED IN THIS DRAWING IS THE SOLE PROPERTY OF AMERICAN ATHLETIC INC.. ANY REPRODUCTION IN PART OR AS A WHOLE WITHOUT THE WRITTEN PERMISSION OF AMERICAN ATHLETIC INC. IS PROHIBITED.

MATERIAL	0
MASS PROPERTIES	LBS.
DIMENSIONS ARE IN INCHES	
TOLERANCES:	
FRACTIONAL	± 1/32"
ANGULAR: MACH	± 2°
ONE PLACE DECIMAL	± 0.05
TWO PLACE DECIMAL	± 0.02
THREE PLACE DECIMAL	± 0.005
DRAWN	TDM
DATE	10/14/2016

American Athletic Inc.
 BASE FRT PAD ASSY

 2.0
 SIZE DWG. NO. **A** N043871
 SCALE: 1:12 QTY: *** SHEET 1 OF 1



REV	APPROVED BY	NAME	DATE	COMMENTS
***	***	***	**_**_**	*****
REV	APPROVED BY	NAME	DATE	COMMENTS
***	***	***	**_**_**	*****
REV	APPROVED BY	NAME	DATE	COMMENTS
***	***	***	**_**_**	*****
REV	APPROVED BY	NAME	DATE	COMMENTS
***	***	***	**_**_**	*****

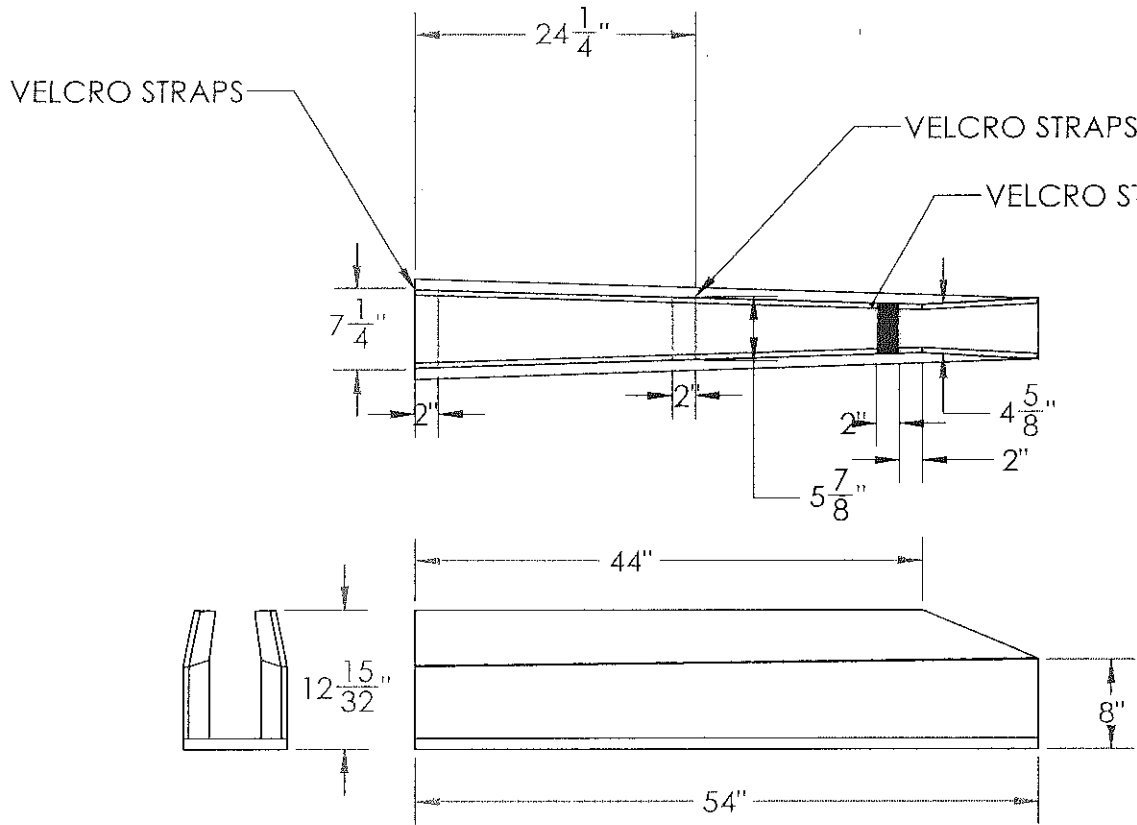
PROPRIETARY AND CONFIDENTIAL
 THE INFORMATION CONTAINED IN THIS DRAWING IS THE SOLE PROPERTY OF AMERICAN ATHLETIC INC.. ANY REPRODUCTION IN PART OR AS A WHOLE WITHOUT THE WRITTEN PERMISSION OF AMERICAN ATHLETIC INC. IS PROHIBITED.

MATERIAL	0
MASS PROPERTIES	LBS.
DIMENSIONS ARE IN INCHES	
TOLERANCES:	
FRACTIONAL	± 1/32"
ANGULAR: MACH	± 2"
ONE PLACE DECIMAL	± 0.05
TWO PLACE DECIMAL	± 0.02
THREE PLACE DECIMAL	± 0.005
DRAWN	TOM
DATE	10/14/2016

American Athletic Inc.
 RIGHT SIDE PAD ASS'Y

 2.0
 SIZE DWG. NO. **A** 0043874
 SCALE: 1:16 QTY: *** SHEET 1 OF 1

ITEM NO.	PART NO.	DESCRIPTION	QTY.
1	0043890	BOTTOM FOAM	1
2	0043891	SIDE FOAM	2
3	0003105	2" WEBBING	1
4	0004130	2" HOOK	0.5
5	0004131	2" LOOP	0.5
6	0040070	THREAD	0.0001



REV	APPROVED BY	NAME	DATE	COMMENTS
***	***	***	***	***
***	***	***	***	***
***	***	***	***	***
***	***	***	***	***

PROPRIETARY AND CONFIDENTIAL
 THE INFORMATION CONTAINED IN THIS DRAWING IS THE SOLE PROPERTY OF AMERICAN ATHLETIC INC.. ANY REPRODUCTION IN PART OR AS A WHOLE WITHOUT THE WRITTEN PERMISSION OF AMERICAN ATHLETIC INC. IS PROHIBITED.

MATERIAL SEE BOM
 MASS PROPERTIES LBS.
 DIMENSIONS ARE IN INCHES
 TOLERANCES:
 FRACTIONAL ± 1/32"
 ANGULAR: MACH ± 2"
 ONE PLACE DECIMAL ± 0.05
 TWO PLACE DECIMAL ± 0.02
 THREE PLACE DECIMAL ± 0.005
 DRAWN TDM 6/27/16

American Athletic Inc.
 BOOM PAD ASS'Y

 2.0
 SIZE DWG. NO. A 0043889
 SCALE: 1:16 QTY: *** SHEET 1 OF 1